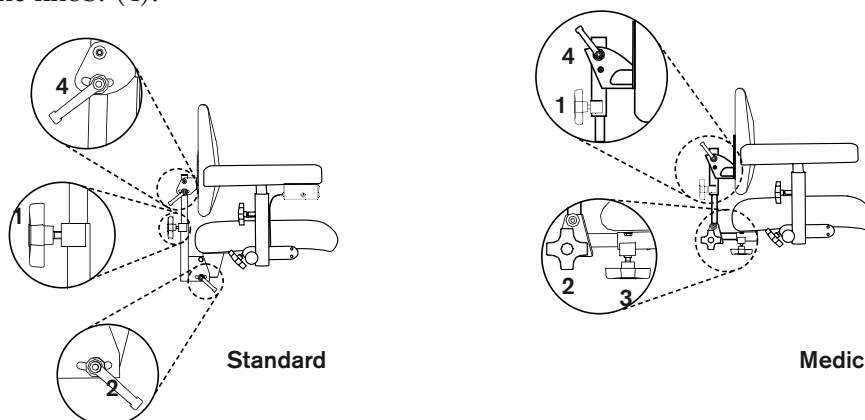


The REAL chair has exchangeable components, accessories and functions and can be adjusted to suit individual needs. The chair should only be used for that person and for the purpose for which it was originally intended. The chair is designed for use indoors and should not be exposed to water or other fluids or chemicals. Nor should it be exposed to high temperatures or long term intensive sunlight or other such exposure. The chair may not be equipped with other accessories or components than those approved by Mercado Medic AB. Repairs and other technical adjustments may only be carried out by personnel authorised by Mercado Medic AB. Please read through these instructions carefully before using your chair.

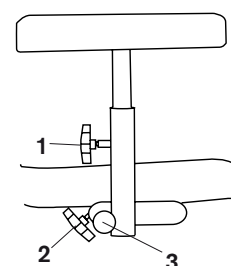
Backrest

There are two types of back mechanisms: Standard and Medic. All back mechanisms have separate adjustment controls for height (1) and angle (2). Loosen the knob, adjust to the desired height/angle and then lock the knob. On the Medic model the depth can be adjusted by using the knob (3). The angle of the backrest itself can be adjusted by using the knob. (4).



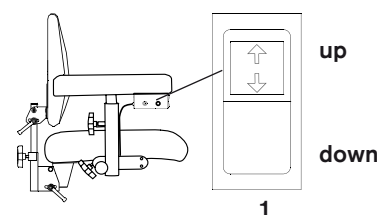
Armrest

The armrests can be adjusted up or down and from side to side on the curve of the armrest. Loosen the knob to adjust the height (1), the width (2) or the curve (3) and then tighten the knob again. The device is automatically locked when the armrest is adjusted to it's upright position. The automatic lock can be prevented by turning the knob (3) a quarter of a circle.



Sitting height

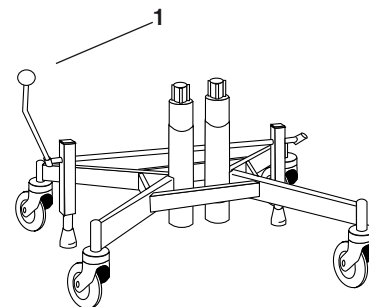
The sitting height is adjusted using the toggle-switch (1) under one of the armrests. To raise the seat press the upper part of the switch, to lower the seat press the lower part of the switch.



Hand brake

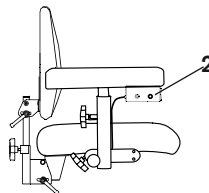
The brakes are controlled with a lever (1). To lock: push the lever forward. The brake lever can be moved to whichever side of the chair you prefer.

Please note! The brakes should always be on when you sit down or raise yourself from your chair. The brakes should be checked regularly. The rubber brake blocks can be replaced after wear and tear. Braking function may be impaired on an uneven surface.



When using electrical brake:

Hold down the button (2) at least one second.



Cleaning and maintenance

The chair should be wiped clean and kept free from dust and grime. The upholstery may be washed with foam cleaner. The seat, backrest and other upholstered parts are for functional reasons not made of sealed materials. For reasons of hygiene, the seat base and padding material should always be changed whenever the upholstery is changed.

The Fixlyftomat automatic device should be checked regularly and kept free of dust and grime. Move the seat base to the highest position. Clean with a cloth. Do not use water or any cleaning fluids. Lubricate the cylinder with a thin layer of Teflon or a silicon based lubricant. These are not as messy as mineral based oils.

Any necessary tools, lubricants etc. for maintaining the chair may be ordered from Mercado Medic AB.